



Typical Fan Style

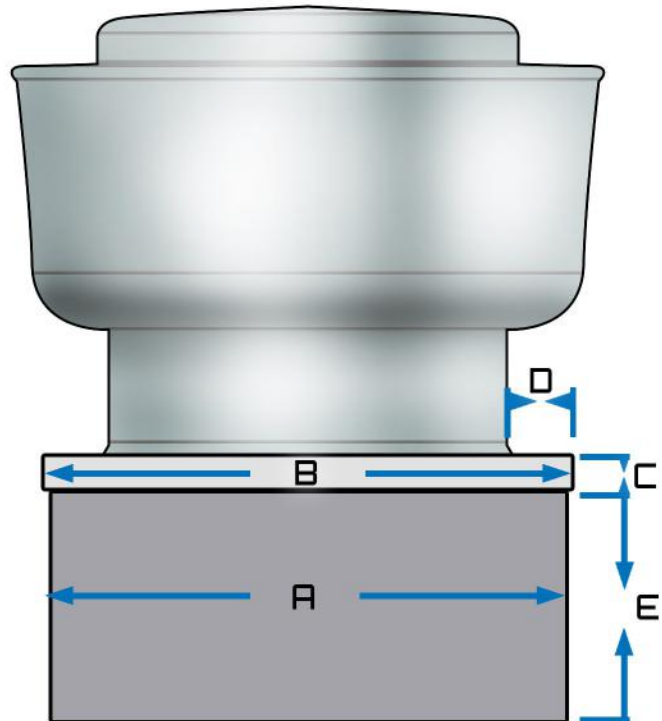
Duct Width (A) _____

Fan Base (B) _____

Fan Base Height (C) _____

Edge of Fan Base to Fan Housing (D) _____

Height of Duct (E) _____



Customer Name _____

Location Address _____

Phone Number _____

Email Address _____

Please complete form and email or fax with your order to ensure an accurate quote and product delivery

EMAIL: SALES@OMNI-SUPPLY.COM • FAX: 1-224-215-4500

WWW.OMNI-SUPPLY.COM • 1501 COMMERCE DRIVE ELGIN, IL 60123