

# Reduced Fan Base Style

Duct Width (A) \_\_\_\_\_

Fan Base (B) \_\_\_\_\_

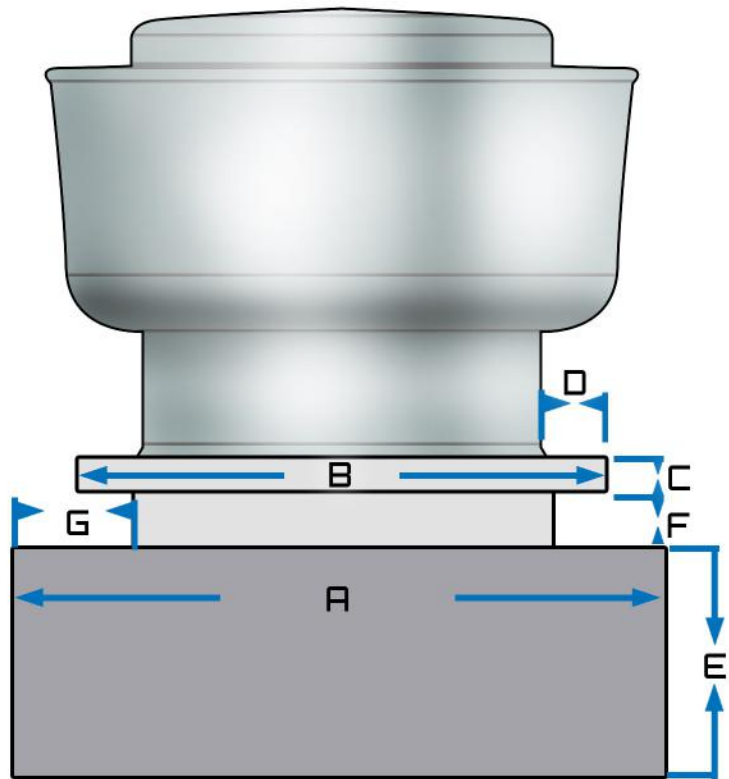
Fan Base Height (C) \_\_\_\_\_

Edge of Fan Base  
to Fan Housing (D) \_\_\_\_\_

Height of Duct (E) \_\_\_\_\_

Lip Height (F) \_\_\_\_\_

Lip Width (G) \_\_\_\_\_



Customer Name \_\_\_\_\_

Location Address \_\_\_\_\_

Phone Number \_\_\_\_\_

Email Address \_\_\_\_\_

**Please complete form and email or fax with your order  
to ensure an accurate quote and product delivery**

EMAIL: SALES@OMNI-SUPPLY.COM • FAX: 1-224-215-4500

WWW.OMNI-SUPPLY.COM • 1501 COMMERCE DRIVE ELGIN, IL 60123