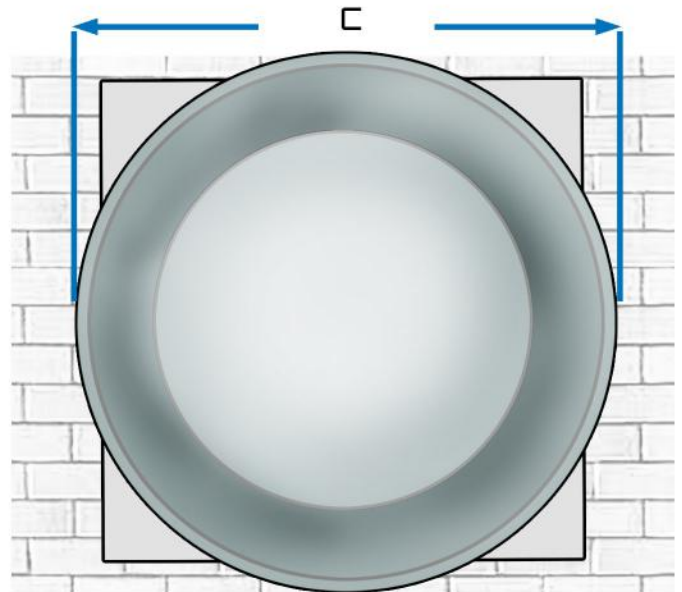
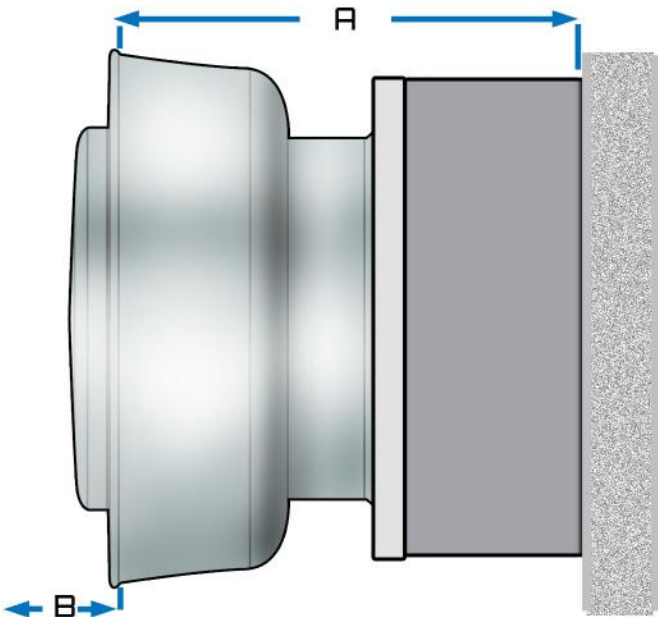


# Side Wall Fan Style

Fan Length From Wall (A) \_\_\_\_\_

Fan Base (B) \_\_\_\_\_

Fan Width (C) \_\_\_\_\_



Customer Name \_\_\_\_\_

Location Address \_\_\_\_\_

Phone Number \_\_\_\_\_

Email Address \_\_\_\_\_

**Please complete form and email or fax with your order  
to ensure an accurate quote and product delivery**

EMAIL: SALES@OMNI-SUPPLY.COM • FAX: 1-224-215-4500

WWW.OMNI-SUPPLY.COM • 1501 COMMERCE DRIVE ELGIN, IL 60123