



OMNI SUPPLY
RESOURCE FOR THE KEC INDUSTRY

Print-n-Fit Kit



 **96** COMPLIANT

 **EPA** COMPLIANT

 EARTH FRIENDLY

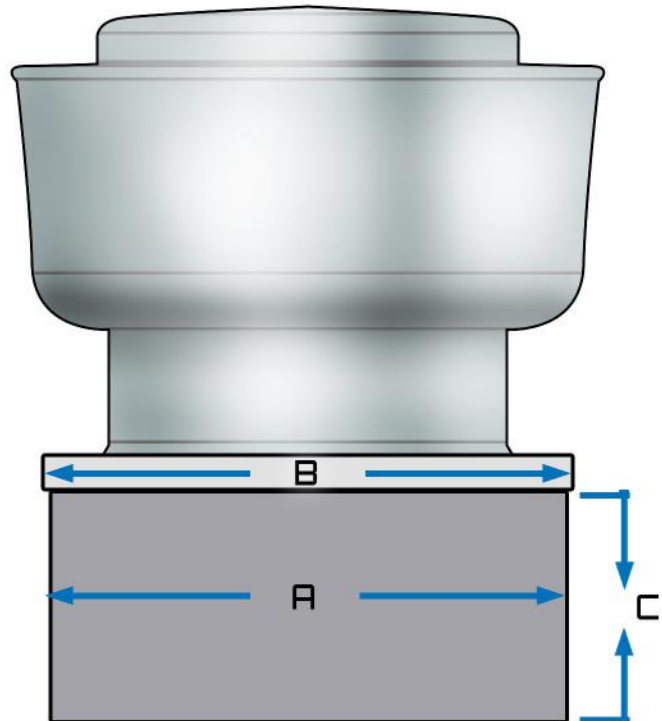
 MADE IN THE USA

Typical Fan Style

Duct Width (A) _____

Fan Base (B) _____

Height of Duct (C) _____



Customer Name _____

Location Address _____

Phone Number _____

Email Address _____

**Please complete form and email or fax with your order
to ensure an accurate quote and product delivery**

EMAIL: SALES@OMNI-SUPPLY.COM • FAX: 1-224-215-4500

WWW.OMNI-SUPPLY.COM • 1501 COMMERCE DRIVE ELGIN, IL 60123