



Instruction Sheet For Grease Gutter

Grease Boom Kit Includes;

1- Replacement Grease Boom

Pre-Installation

Make sure there are no obstructions that will be in the way of the mounting area on the duct such as electric boxes, conduits, brackets, etc. Check to be sure that the power supply conduit is in good condition and has adequate length for the fan to be tilted.

1) Remove the four corners of the Grease Gutter.

2) Using the supplied gloves, grasp the saturated Grease Boom at the corners of the Grease Gutter and carefully pull it up and out of the Grease Gutter.

3) After removing the saturated Grease Boom, use the supplied bag to dispose of it properly.

4) Remove the replacement Grease Boom From the bag and start one end on the opposite side of the fan discharge.

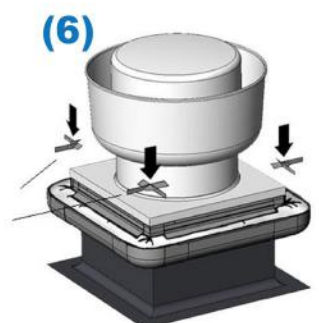
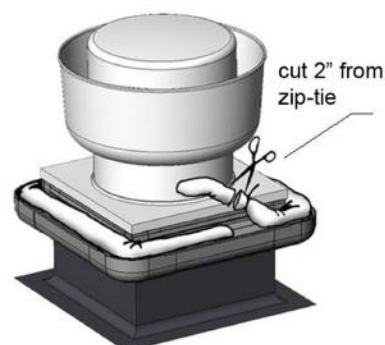
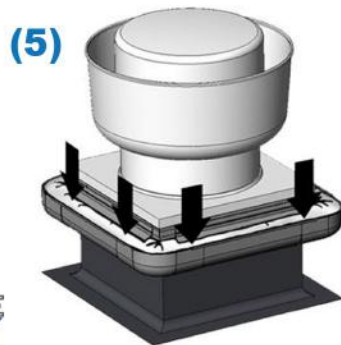
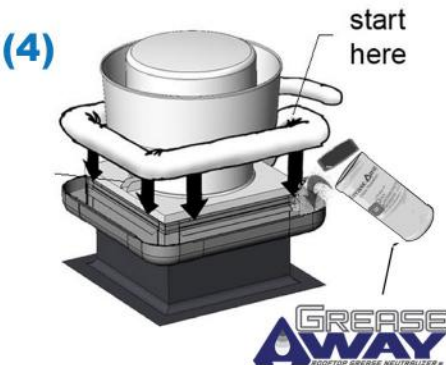
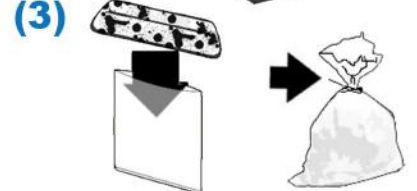
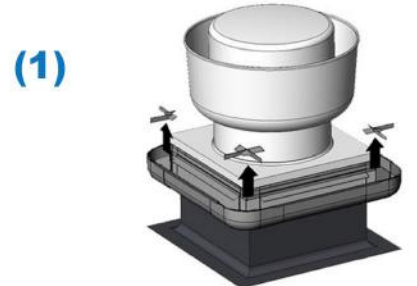
This will place the seam at the lowest point of the system.

Note: We recommend using Grease Away every time you replace a grease boom. pour the Grease away into the Grease Gutter System before you install the replacement filter and around the fan itself

5) Tuck the pad making sure it's flush with the interior walls of the Grease Gutter to prevent any gaps.

Note: If there is too much filter after the Grease Boom is inserted into the Grease Gutter use the supplied zip ties to cinch the portion that is too long, cut the unused portion approximately 2" away from the zip tie and tuck the cut end into the Grease Gutter

6) Reinstall the four Grease Gutter corners.



FOR TECHNICAL ASSISTANCE, CONTACT US AT:

866.704.OMNI • SALES@OMNI-SUPPLY.COM • WWW.OMNI-SUPPLY.COM
1501 COMMERCE DRIVE ELGIN, IL 60123