

Instruction Sheet For The Grease Box

Kit Includes; 3 Phillips hex head 1" self-tapping screws and 1 tube of Caulk

Pre-Installation

Make sure there are no obstructions that will be in the way of the mounting area on the fan or duct such as electric boxes, conduits, brackets, etc. Check to be sure that the power supply conduit is in good condition and has adequate length for the fan to be tilted.

***Note proper sizing on the attached manufacturer disclaimer page.**

1. (A) Turn off the power supply at breaker box. Make sure that the area you wish to mount The Grease Box is clear of obstructions that would not allow for the opening, removal and maintenance of the filtration tiers. (B) Remove filtration tiers from The Grease Box for easier handling and mounting.

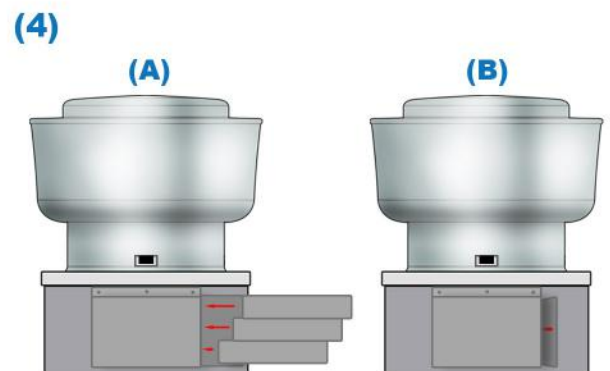
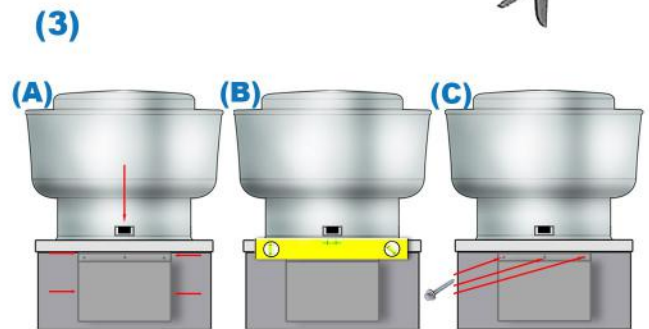
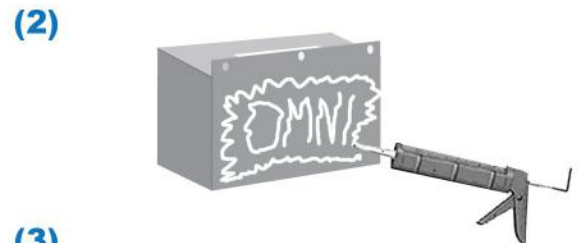
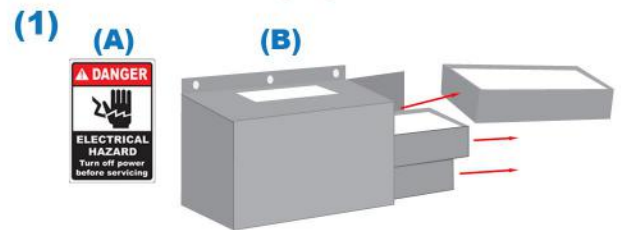
NOTE: If mounting area has fixed obstructions that will hinder the opening, removal and maintenance of the filtration tiers, then leave tiers in The Grease Box While mounting and skip step 1-B and step 2.

2. Liberally caulk the back (fan side) of The Grease Box.

3. (A) Line up center of The Grease Box with Fan Spout and with the Top of The Grease Box's Mounting Tap Placed Just Under The Fan Base Lip. Making sure The Grease Box is level. (B) Screw The Grease Box Into Place Using The Supplied Screws.

4. If Filtration tiers were removed for mounting, (A) place them back into The Grease Box. (B) Close and latch filtration tier access door.

Note: If fixed obstructions hinder the opening, removal and maintenance of the filtration tiers, you will have to un mount The Grease Box to properly access the filtration tiers



FOR TECHNICAL ASSISTANCE, CONTACT US AT:

866.704.OMNI • SALES@OMNI-SUPPLY.COM • WWW.OMNI-SUPPLY.COM
1501 COMMERCE DRIVE ELGIN, IL 60123