

CHAIN KIT



Instruction Sheet For Chain Kit

Chain Kit Includes:

- (2) 1/4" Bolts/locking nuts. (6) 1/4" washers. (2) 1.5" hardened self tapping screws
- (2) 48" sections of 200lb (Tensile Strength) Stop Chains

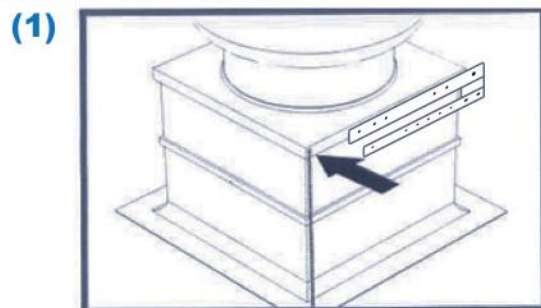
Pre-Installation

Make sure there are no obstructions that will be in the way of the mounting area on the fan or duct such as electric boxes, conduits, brackets, etc. Check to be sure that the power supply conduit is in good condition and has adequate length for the fan to be tilted.

***Note proper sizing on the attached manufacturer disclaimer page.**

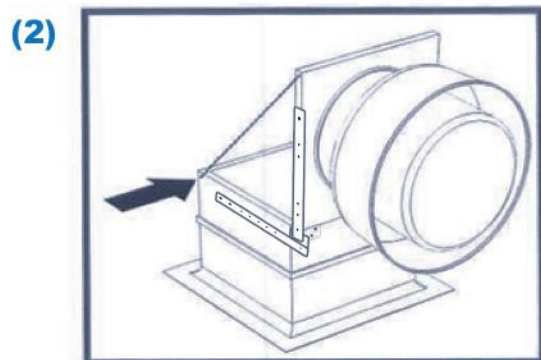
Step 1

Attach stop chains at the outer edge of the front of the fan base with the supplied 1/4" bolts, washers and lock nuts - after 1/4 inch hole has been drilled in desired areas



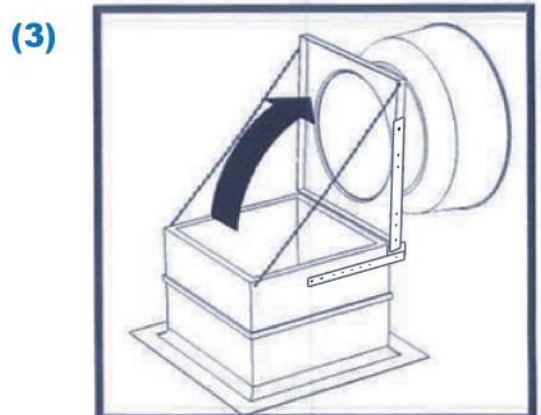
Step 2

Once stop chains have been installed on outer edges of fan base- carefully tilt fan back to desired hinging position (generally 90 degrees) and support fan safely in that position. Be sure to install low enough so fan can close



Step 3

Fasten lower portion of stop chain at equal lengths to the front of duct as shown- using 2 supplied self tapping hardened screws. (be certain to install 1/4 washers prior to fastening) After all fasteners have been checked for tightness- test fan hinge assembly by carefully opening and gently allowing fan to rest on extended chains. -Trim excess chain.



NOTE: Never allow fan to fall back on stop chains - as breakage may cause serious damage to fan or roof membrane

A Chain Kit Is Not A Service Hold-Open Retainer.

The Chain is designed to keep the fan from falling onto the roof when opened, not hold it open during service.

The EconoHinge and all other Door Type Hinges do not include a Service Hold-Open Retainer, as called for in NFPA96

FOR TECHNICAL ASSISTANCE, CONTACT US AT:

866.704.OMNI • SALES@OMNI-SUPPLY.COM • WWW.OMNI-SUPPLY.COM
1501 COMMERCE DRIVE ELGIN, IL 60123