



**OMNI SUPPLY**  
RESOURCE FOR THE KEC INDUSTRY



Accessories

**866.704.OMNI**  
SALES@OMNI-SUPPLY.COM  
WWW.OMNI-SUPPLY.COM  
1501 COMMERCE DRIVE ELGIN, IL 60123



Defend Your Rooftop From Grease With

*Off The Roof*  
Protection

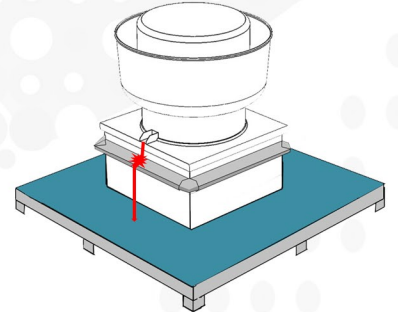
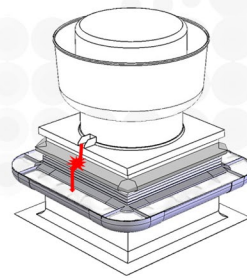


# CURB DEFLECTOR

KEEPING GREASE OFF YOUR CURBS & ROOFS



Omni's **Curb Deflector** mounts below the fan base between the fan and grease containment unit. The **Curb Deflector** deflects grease away from the fan curb out onto filter media of a **Grease Gutter** or **Roof Guardian** grease containment system. It also prevents grease from running down a fan curb and possibly passing between a grease containment unit and fan base and onto a roof. By intercepting and diverting grease discharge off of a fan curb, the **Curb Deflector** prevents costly fan curb rebuilds



- Weather Resistant
- Quick & Easy to Install
- 3 Stock Sizes (Custom Sizes Available)
- Made from Sturdy 22-Gauge Galvanized Steel
- Easily Retrofits into Existing Grease Containment Units
- Helps Center Grease Discharge onto Filter Media for Even Absorption

Try Our Other Great Grease Containment Products,

